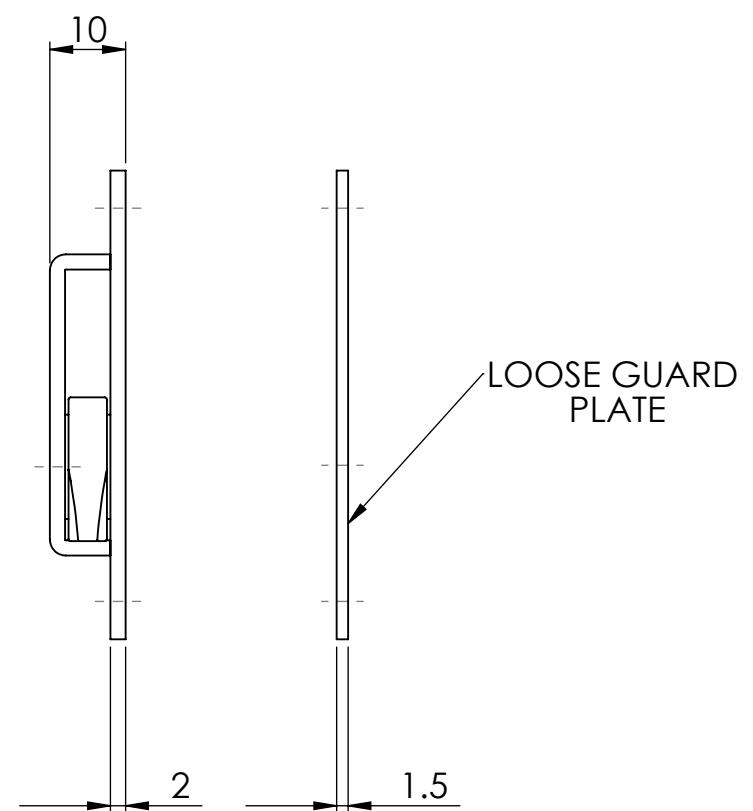
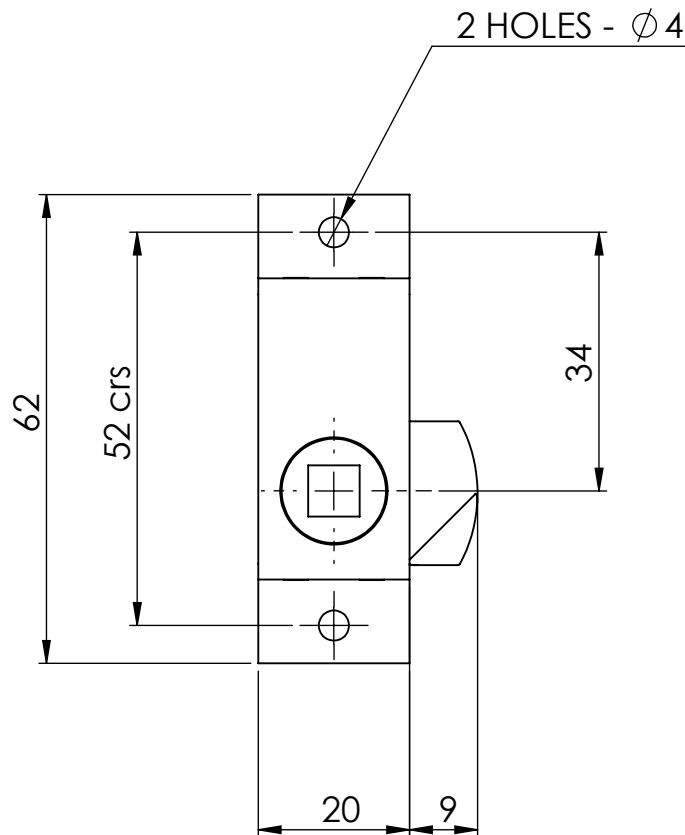


AS DRAWN - WBR881NG
 OPP,HAND - WBR882NG

DO NOT SCALE DRAWING

THIRD ANGLE PROJECTION 	FINISH: ZINC PLATE	DEBUR AND BREAK SHARP EDGES	DRAWN BFM	DATE
	MATERIAL: STEEL & BRASS		TITLE: BUDGET LOCK Only	
			DWG NO. WBR881NG/WBR882NG	Issue 1
			SCALE:2:1	SHEET 1 OF 2



DO NOT SCALE DRAWING

AS DRAWN - WBR881
OPP, HAND - WBR882

THIRD ANGLE PROJECTION 	FINISH: ZINC PLATED	DEBUR AND BREAK SHARP EDGES	DRAWN BFM	DATE
	MATERIAL: STEEL & BRASS		TITLE: BUDGET LOCK Guarded	
			DWG NO. WBR881/WBR882	Issue 1
			SCALE:2:1	SHEET 2 OF 2