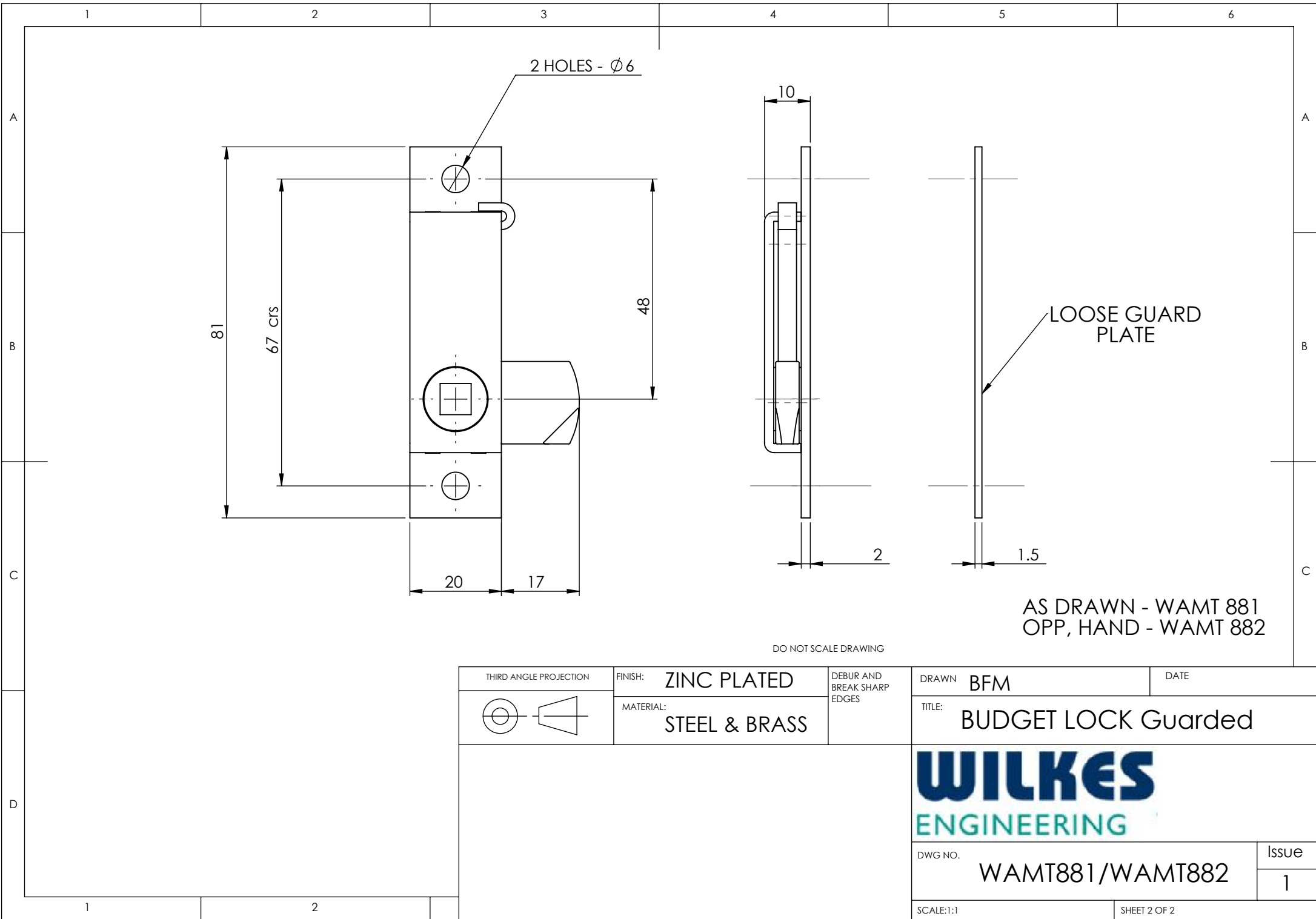
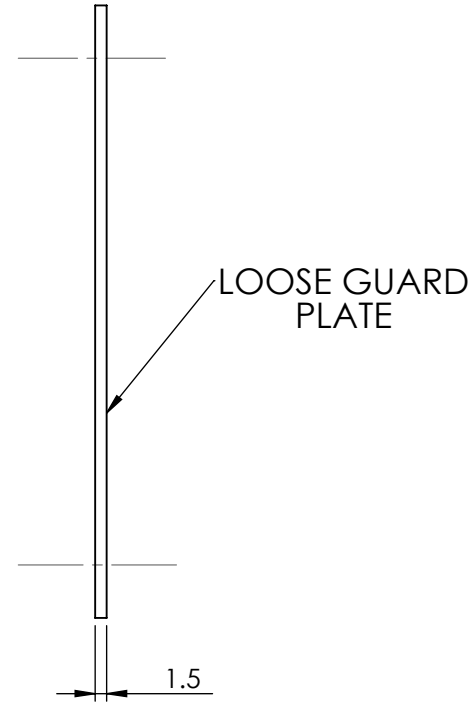
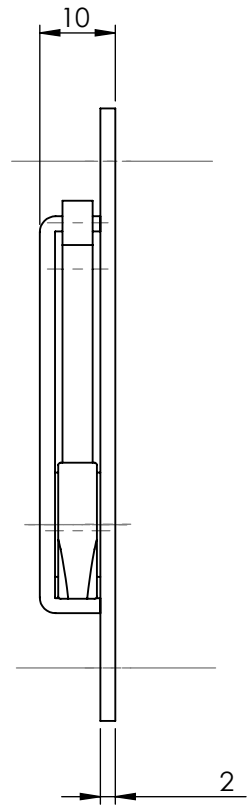
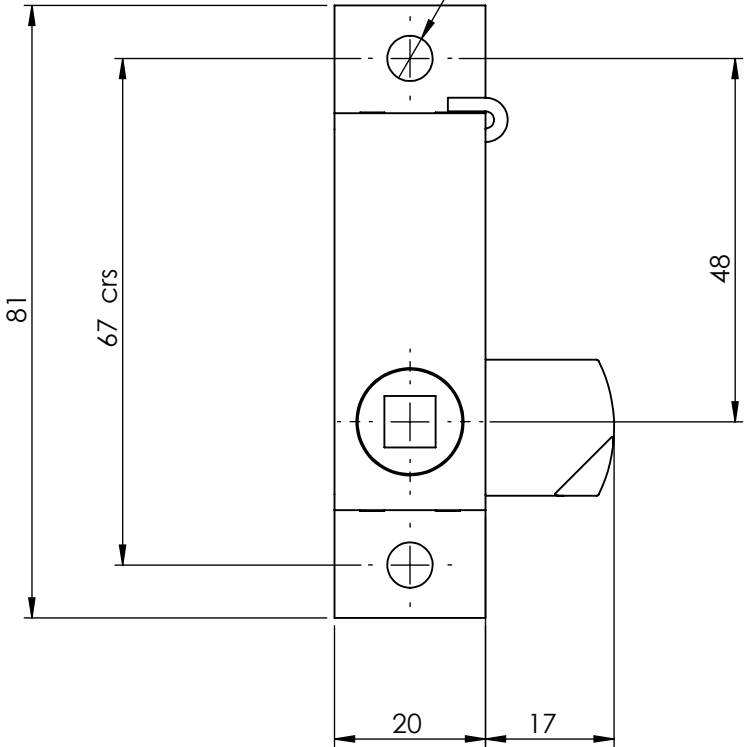


THIRD ANGLE PROJECTION 	FINISH: ZINC PLATED	DEBUR AND BREAK SHARP EDGES	DRAWN BFM	DATE
	MATERIAL: STEEL & BRASS		TITLE: BUDGET LOCK Only	
DO NOT SCALE DRAWING				
			DWG NO. WAMT881NG/WAMT882NG	Issue 1
			SCALE:1:1	SHEET 1 OF 2



2 HOLES - Ø6



LOOSE GUARD PLATE

AS DRAWN - WAMT 881
OPP, HAND - WAMT 882

DO NOT SCALE DRAWING

THIRD ANGLE PROJECTION 	FINISH: ZINC PLATED	DEBUR AND BREAK SHARP EDGES	DRAWN BFM	DATE
	MATERIAL: STEEL & BRASS		TITLE: BUDGET LOCK Guarded	
			DWG NO. WAMT881/WAMT882	Issue 1
			SCALE:1:1	SHEET 2 OF 2