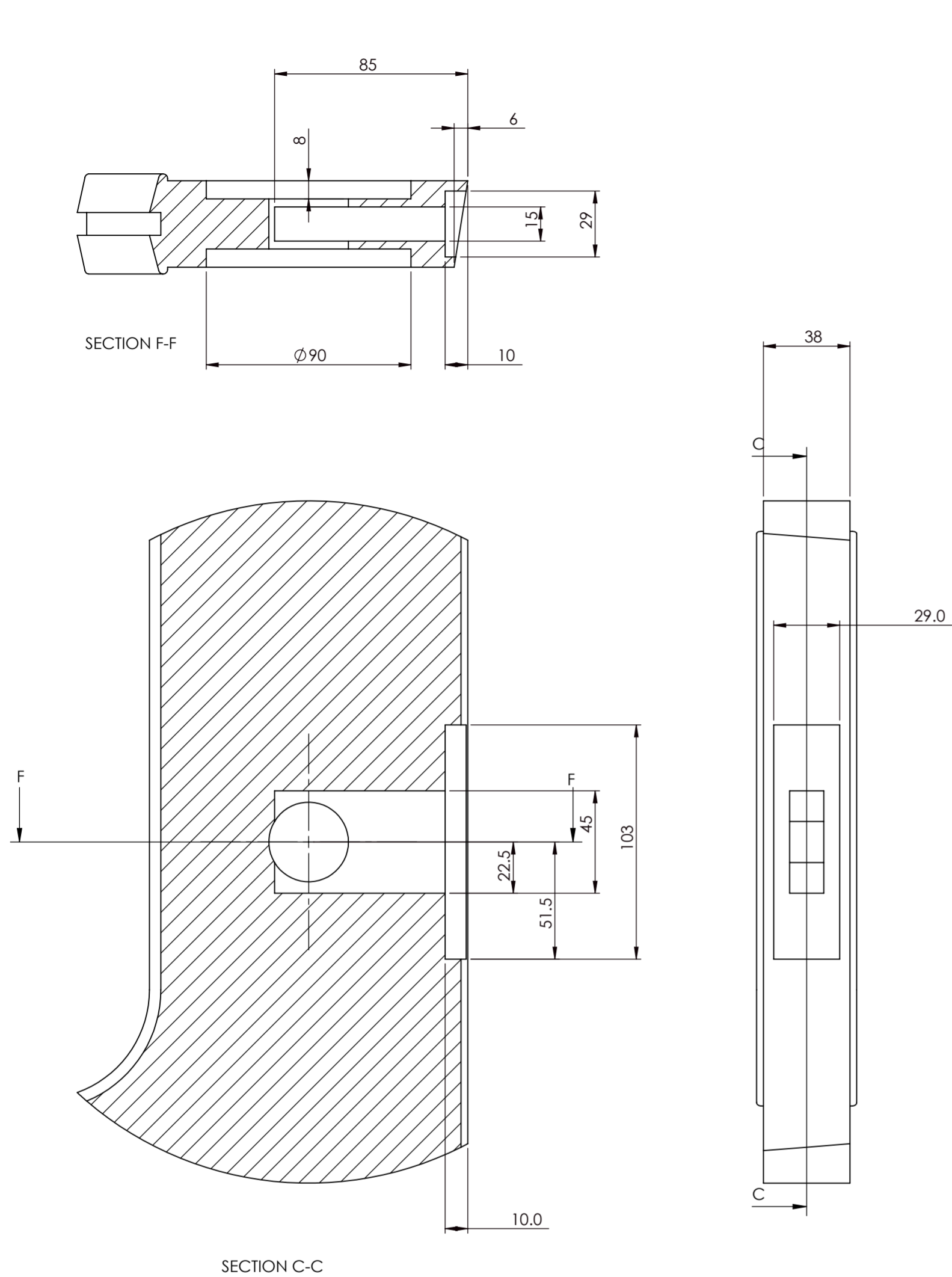
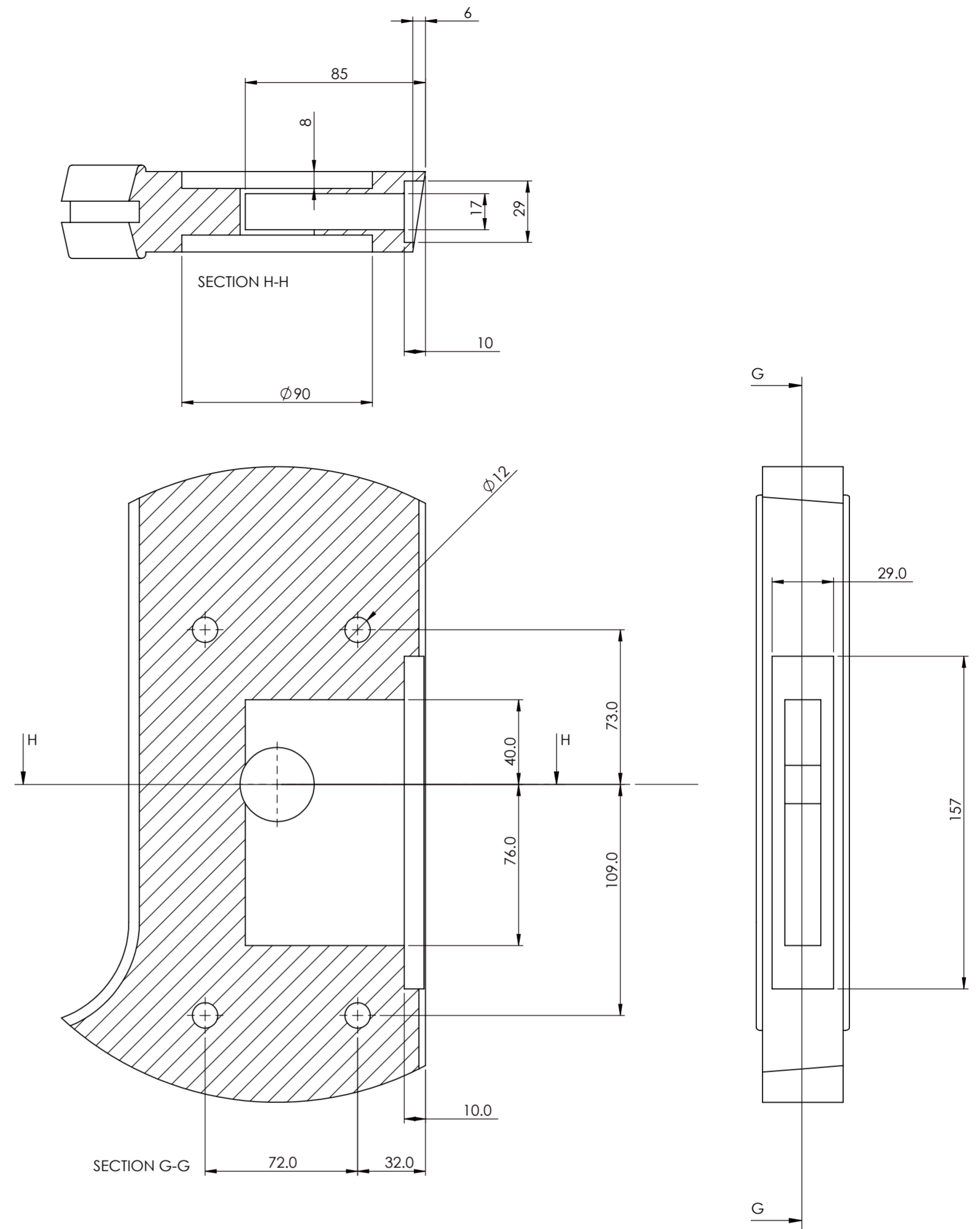


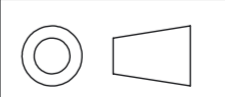
		MATERIAL:		Drawn	BFM	Date	7/3/12
THIRD ANGLE PROJECTION		FINISH:		TITLE:			
				Latch assembly			
				DWG NO.			
				W12050-GA			
REV.	DESCRIPTION	DATE	APPROVED	ISSUE			
1	FIRST ISSUE	8/3/12		2			
2	various	12/3/12					
				Sheet size - A2		SHEET 1 OF 2	



EXISTING LATCH CUT OUT
(FOR REFERENCE)



REQUIRED LATCH CUT OUT

		MATERIAL:	Drawn	BFM	Date	12/3/12
		FINISH:	TITLE: Door - cut out details			
			DWG NO. W12050-GA			
REV.	DESCRIPTION	DATE	APPROVED	ISSUE 2		
1	FIRST ISSUE	8/3/12				
2	various	12/3/12				
				Sheet size - A2	SHEET 2 OF 2	