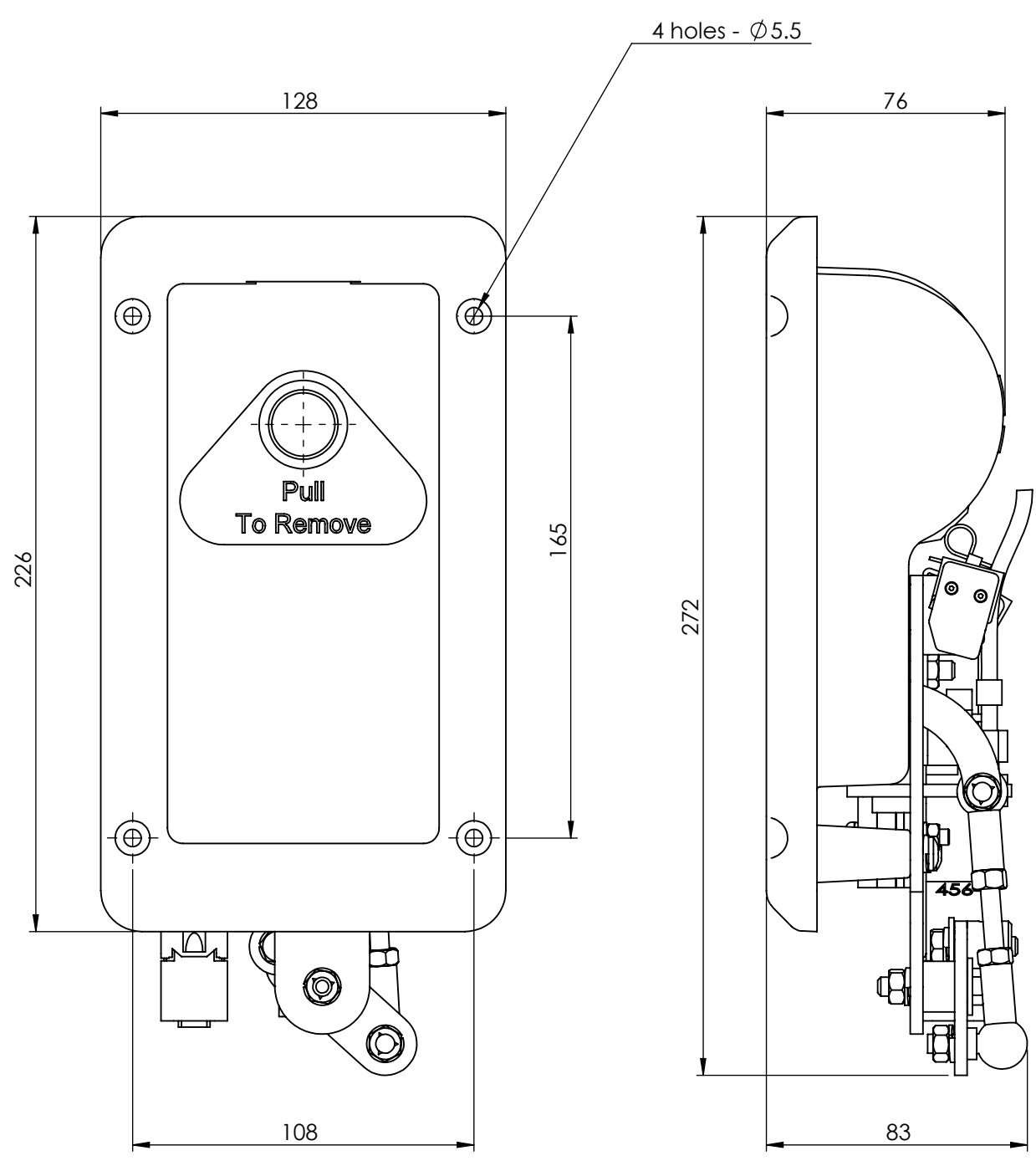


1 2 3 4

A
B
C
D
E
F



DO NOT SCALE DRAWING

THIRD ANGLE PROJECTION	FINISH:	DEBUR AND BREAK SHARP EDGES	DRAWN BFM	DATE
	MATERIAL:		TITLE: Emergency door release	
			<p>Samuel Wilkes (Eng) Ltd. P.O.Box1, Newfield Close, Walsall, West Midlands. WS6 7PB, England. Tel: 01922 634567 Fax: 01922 633332</p>	
			DWG NO. W11160-EDR	Issue 1
SCALE: 1:2			SHEET 2 OF 2	